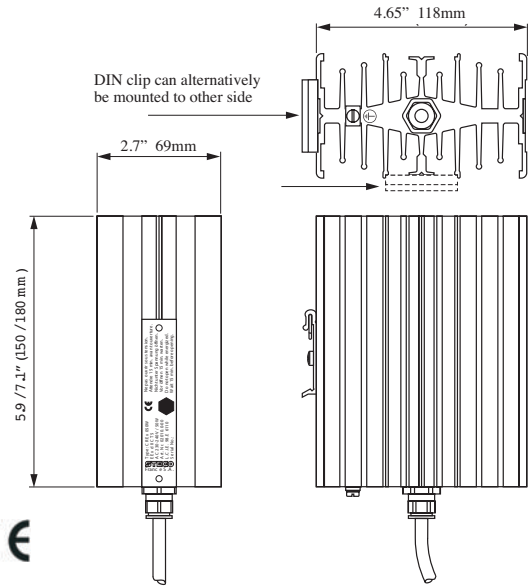




Features // Heater

- + DIN rail mounting
- + Wire Harness 3-wire 3ft cord
- + ATEX Certified Protection E Ex d IIc T5 & T4
- + Black Anodized Aluminum body, IP65
- + Optional 5ft power cord

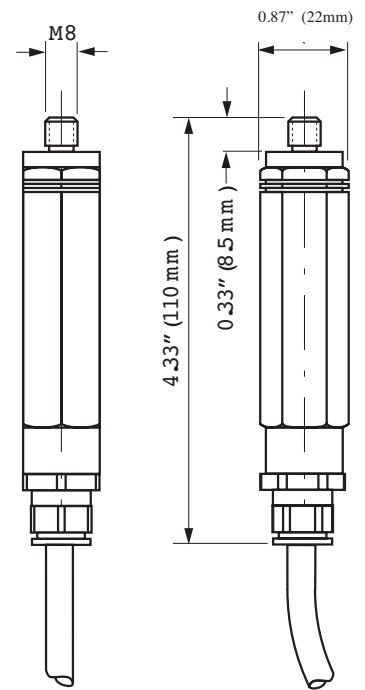
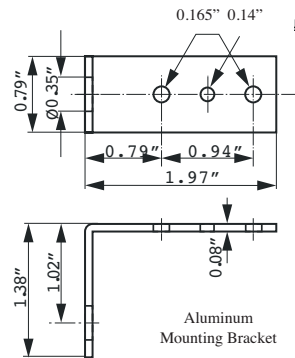


Part Number	G02010.0-00	G02010.0-01	G02011.0-00	G02011.0-01
Watts at 68°F (20 °C)	50W	50W	100W	100W
Heater Voltage	220-240AC	100-120AC	220-240AC	110-120AC
Weight	2.9 lbs	3.3 lbs	2.9 lbs	3.3 lbs
Surface Temp.	212° F/100C	212° F/100C	T4 275° F/135C	T4 275° F/135C

Maintain 50mm safe mounting distance between heater and other objects. It is recommended to use a thermostat to control the heater.

Features // Thermostat

- + DIN rail mounting
- + Wire Harness 3-wire 3ft cord
- + ATEX Certified Protection EEx d IIc T6
- + Black Anodized Aluminum body, IP65
- + Service Life > 100,000 cycles



Part Number	G01180.0-00	G01181.0-00
Temperature switch-off	59° F +/-7° F	77° F +/-7° F
Temperature switch-on	7° F +/-2° F	7° F +/-2° F
Operating Temperature	-4 - 104° F	-4 - 104° F
Voltage	250Vac/100Vdc	250Vac/100Vdc
Current @250Vac (resistive/inductive)	4A/1A	4A/1A



Specifications are subject to change without prior notice.